

X-type Roller Conveyors



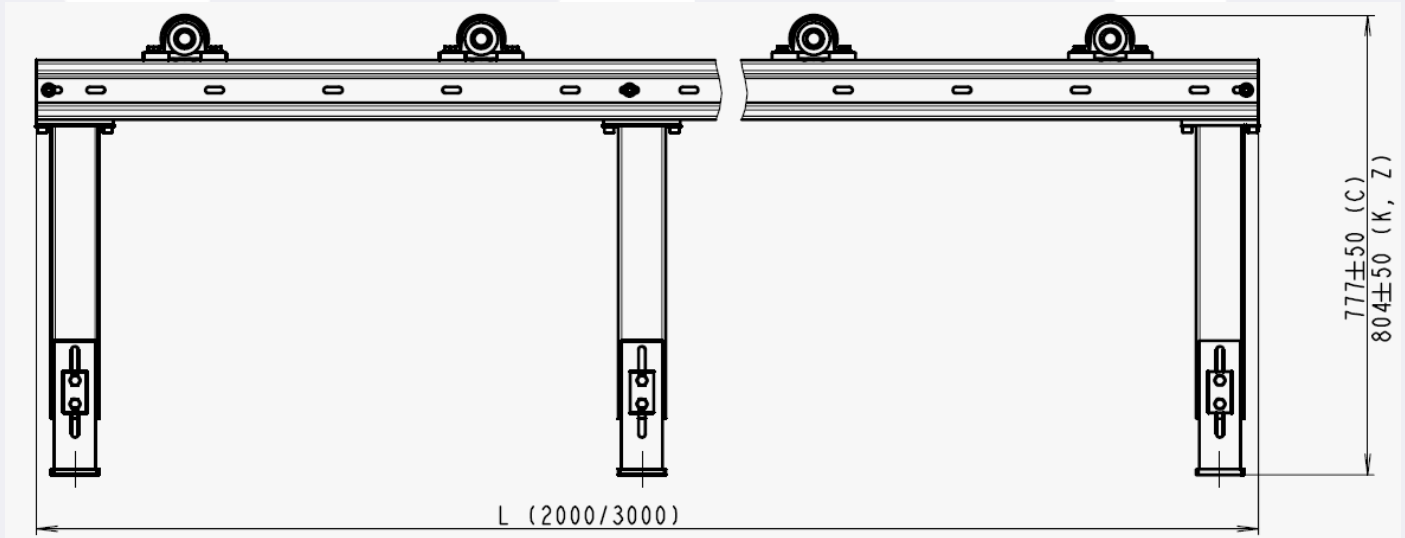
FEATURES

- The X-type conveyor is manufactured using steel, tubular rollers mounted in plumber block bearings
- Supplied in 2m & 3m lengths, easily connected into continuous runs
- Available roller widths* range from 450mm to 1150mm
- Maximum loading varies from of 400 to 2500kg per metre (evenly spread)
- Conveyor height can be adjusted between 725mm and 825mm
- Rollers are positioned at approximately 500mm centres (adjustable)
- Conveyors are supplied with safety guides to prevent the material rolling off
- Vertical rollers and additional horizontal roller assemblies are available at extra cost

**Not all weight, width & height combinations are available*

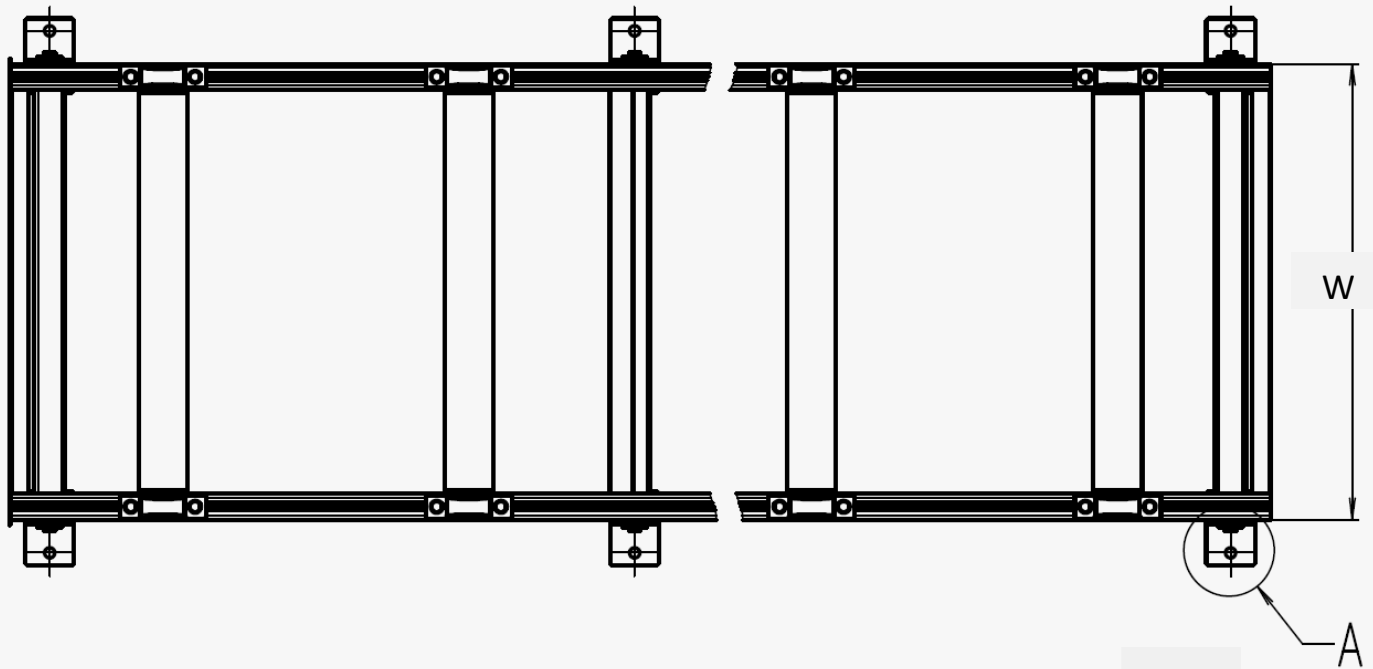
PROSAW

Supplying the World's Finest Machines to UK industry since 1963

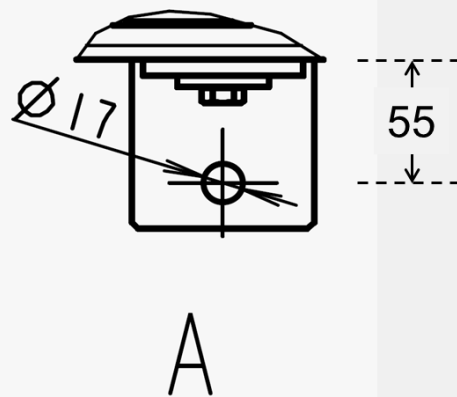


Roller type C – 80mm Ø

Roller type K & Z – 112mm Ø



Version	W (mm)
X450	542
X550	642
X650	742
X750	842
X850	942
X950	1042
X1050	1142
X1150	1242



Assembly - X-type Roller Conveyor



1. First assemble each conveyor leg.
2. Each leg contains a cube attached with two bolts.
3. Place the cube into the groove on the bottom of the roller track, position the leg as required and tighten the bolts.



4. If conveyors are to be connected, their frames must be joined using the legs.
5. Align the conveyors vertically and horizontally.
6. If the saw is supplied with vertical rollers, these must be aligned with the back fence of the saw vice.
7. After aligning and levelling, anchor the conveyor into the floor using bolts.

Height Adjustment - X-type Roller Conveyor

1. The conveyor height is adjustable by up to 95mm. Each foot can be adjusted independently.



2. Loosen both side bolts.



3. Set the required height by rotating the adjusting bolt..
4. Tighten both side bolts.